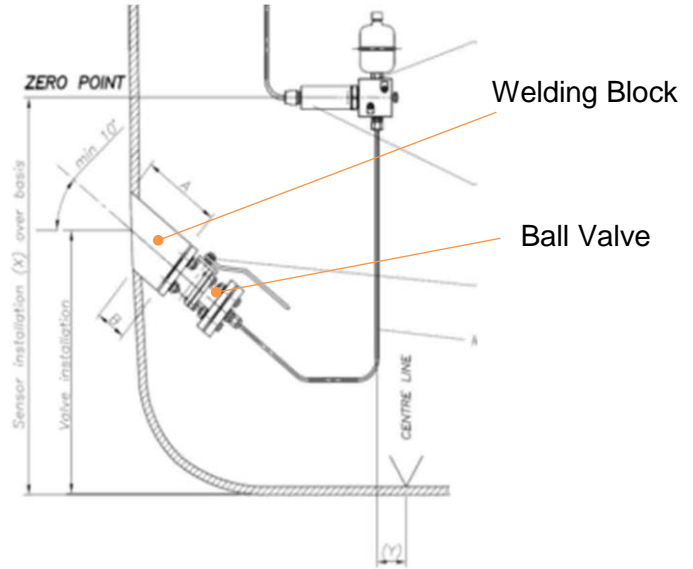


SYSTEM

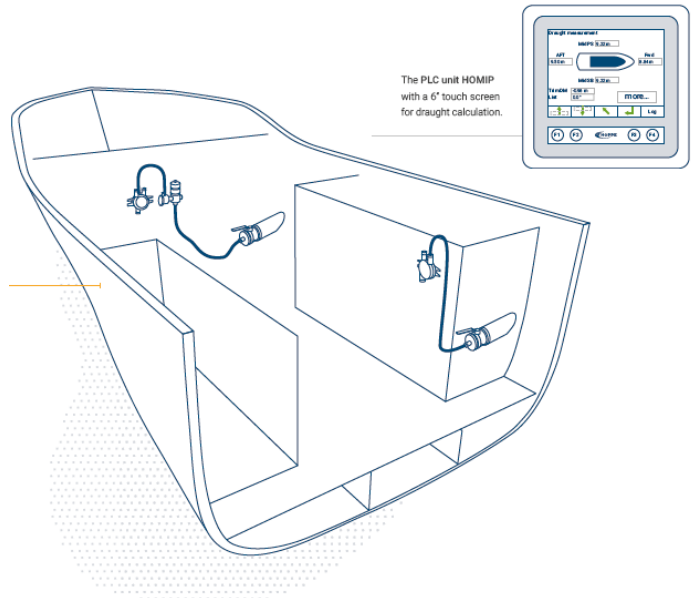
The **Hoppe Draught Measuring function** is usually provided as a part of the tank content measuring system. Draught indication is sensitive, it depends on the determination of the correct sensor coordinates and is influenced by external factors such as ship hull accuracy and speed. Hoppe Marine has developed a smart solution for draught sensor installation:

The safe and robust welding block / ball valve unit at the hull penetration allows a very cost efficient installation and service. It enables reliable measuring results during operation by minimizing unwanted effects as for example air trapping, sediments sticking as well as avoiding mechanical damages. Pressure type sensors as such are usable for static draught / at very low or zero speed.



FACTS, FEATURES & DIMENSIONS

- INSERT TECHNICAL FEATURES,
- EXTRAORDINARY TECHNICAL DATA
- AND DIMENSIONS OF CORE COMPONENTS
- IN BLACK COLOR.
-
-
-
-
-
-
- DELETE UNNECESSARY ROWS AND CLICK "DISTRIBUTE ROWS" ("ZEILEN VERTEILEN").
-
-



TECHNICAL DATA NAME OF SYSTEM CORE COMPONENT IN WHITE

DATA CATEGORY DATA VALUE

ENTER TECHNICAL DATA IN BLACK

INSERT COMPONENT PHOTO

TECHNICAL DATA NAME OF SYSTEM CORE COMPONENT XYZ IN WHITE

DATA CATEGORY DATA VALUE

ENTER TECHNICAL DATA IN BLACK

INSERT COMPONENT PHOTO

TECHNICAL DATA NAME OF SYSTEM CORE COMPONENT XYZ IN WHITE

DATA CATEGORY DATA VALUE

ENTER TECHNICAL DATA IN BLACK

INSERT COMPONENT PHOTO

TECHNICAL DATA NAME OF SYSTEM CORE COMPONENT XYZ IN WHITE

DATA CATEGORY DATA VALUE

ENTER TECHNICAL DATA IN BLACK

INSERT COMPONENT PHOTO

TECHNICAL DATA NAME OF SYSTEM CORE COMPONENT XYZ IN WHITE

DATA CATEGORY DATA VALUE

ENTER TECHNICAL DATA IN BLACK

INSERT COMPONENT PHOTO